

# MONTE CARLO®

CEILING FAN COMPANY

## MC360 BLANKING PLATE READ AND SAVE THESE INSTRUCTIONS

**Warning:** Make sure main power is turned off before handling Parts replacement.

Installation work and electrical wiring must be done by qualified person(s). If you are unfamiliar with methods of installing or electrical wiring, secure the service of a qualified electrician.

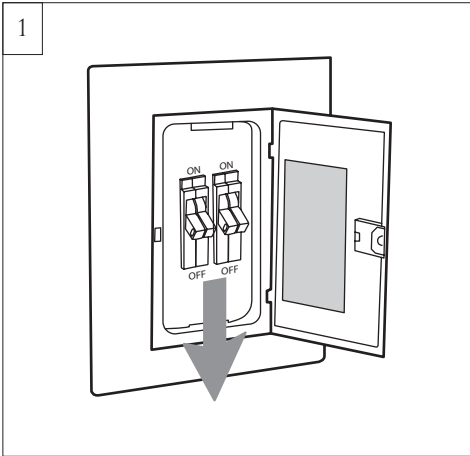
All electrical connections must be in accordance with local codes, ordinances, and national electrical codes.

Review the installation instructions supplied with your fan. Make sure that your fan has been installed and wired properly.

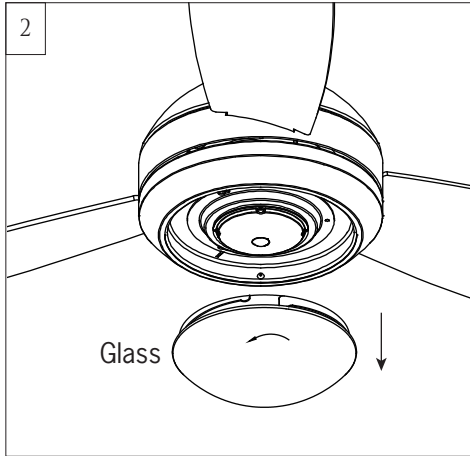
Tools Required for Assembly (not included): Electrical Tape, Phillips Screwdriver, Pliers, Safety Glasses, Stepladder and Wire Strippers

Customer Service  
800-969-3347

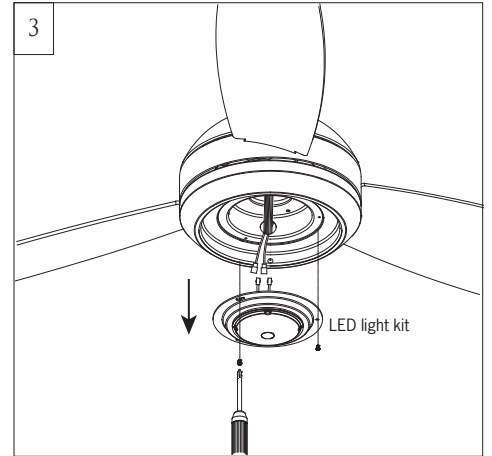
Customer Service Center  
7400 Linder Ave.  
Skokie, IL 60077  
[www.montecarlofans.com](http://www.montecarlofans.com)



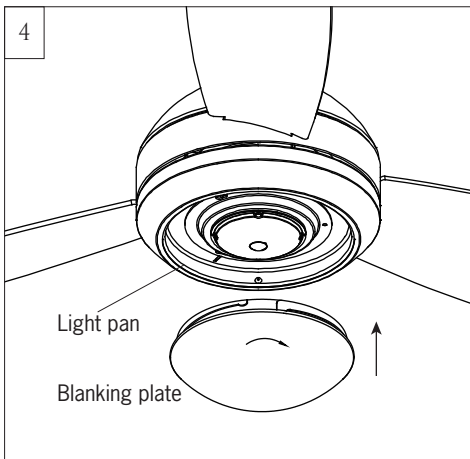
Before you begin handling light kit replacement, Switch power off at Service panel and lock service disconnecting means to prevent power from being switched on accidentally. When the service disconnecting means cannot be locked, securely fasten a warning device, such as a tag, to the service panel.



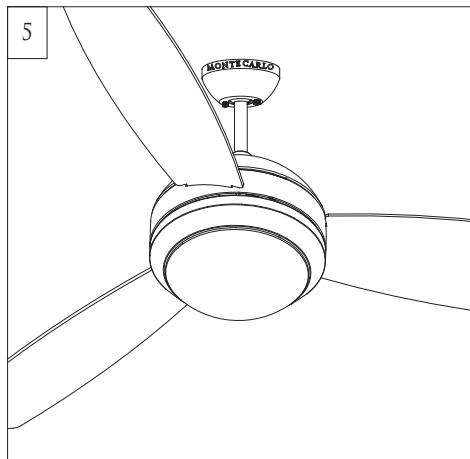
Remove glass from light pan by turning counterclockwise.



Remove LED light fixture by uninstalling the 3 set screw and then unplug of lead wires.



Attach blanking plate onto light pan by locating dimples in light pan with grooves in blanking plate and twist clockwise until tight.



Nov.2015