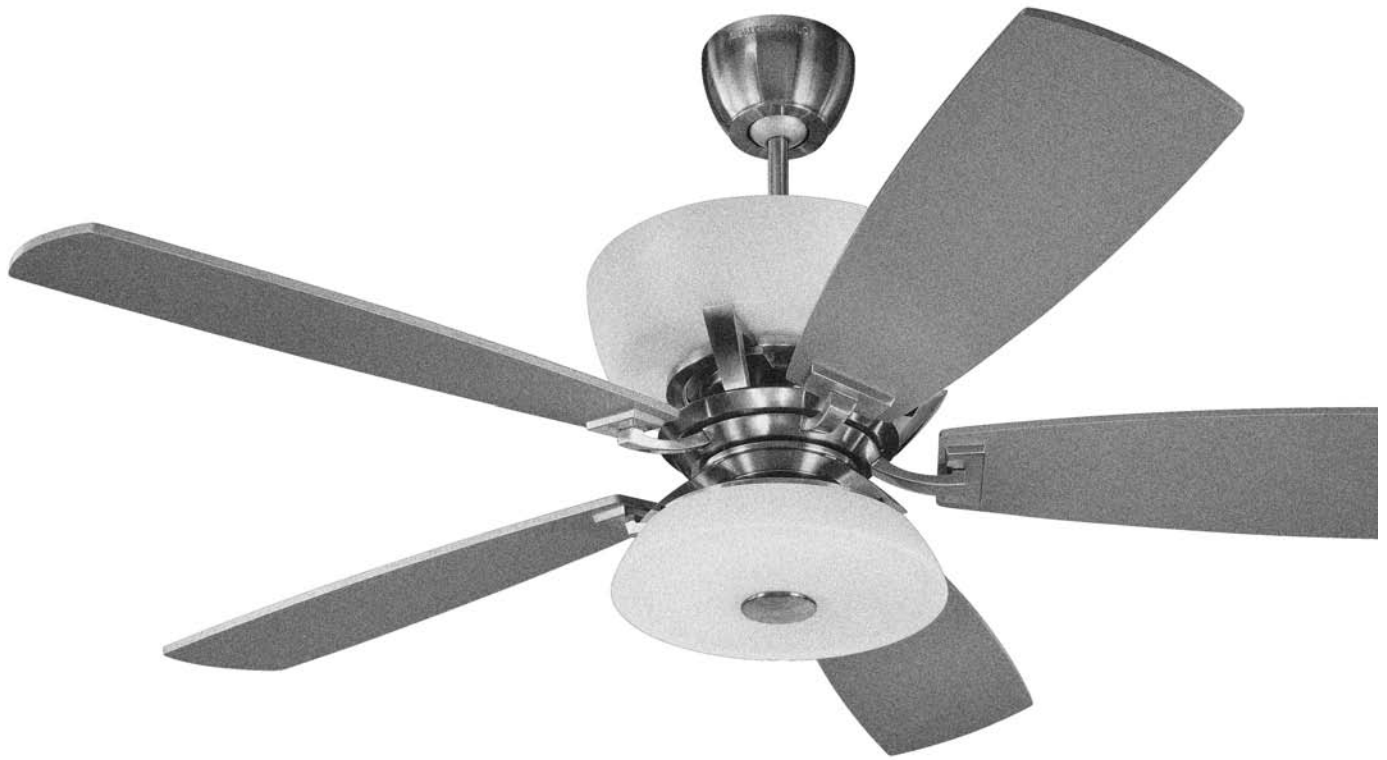


Owner's Manual

Ceiling Fan Installation Instructions



For 5EXR60XXD-L Series Fans

READ AND SAVE THESE INSTRUCTIONS

Total fan weight
with light

**MONTE
CARLO**®



Installation

SAFETY TIPS

WARNING: TO REDUCE THE RISK OF FIRE, ELECTRIC SHOCK, OR INJURY TO PERSONS, OBSERVE THE FOLLOWING: READ AND SAVE THESE INSTRUCTIONS

1. Installation work and electrical wiring must be done by qualified person(s) in accordance with applicable codes and standards (ANSI/NFPA 70-1999), including fire-rated construction.
2. Use this unit only in the manner intended by the manufacturer. If you have any questions contact the manufacturer.
3. After making the wire connections, the wires should be spread apart with the grounded conductor and the equipment-grounding conductor on one side of the outlet box and ungrounded conductor on the other side of the outlet box.
4. Before you begin installing the fan, Switch power off at Service panel and lock service disconnecting means to prevent power from being switched on accidentally. When the service disconnecting means cannot be locked, securely fasten a prominent warning device, such as a tag, to the service panel.
5. Be cautious! read all instructions and safety information before installing your new fan. Review the accompanying assembly diagrams.
6. When cutting or drilling into wall or ceiling, do not damage electrical wiring and other hidden utilities.
7. Make sure the installation site you choose allows the fan blades to rotate without any obstructions. Allow a minimum clearance of 7 feet from the floor to the trailing edge of the blade.
8. To reduce the risk of fire, electric shock, or personal injury, mount to outlet box or supporting system acceptable for fan support. (Mounting must support at least 35 lbs. (16kg.)).
9. Do not bend blade holders during installation to motor, balancing or during cleaning. Do not insert foreign object between rotating blades.
10. Attach the mounting bracket using only the hardware supplied with the outlet box.
11. To reduce the risk of fire or electric shock, do not use this fan with any solid state fan speed control device, or variable speed control.
12. If this unit is to be installed over a tub or shower, it must be marked as appropriate for the application.
13. NEVER place a switch where it can be reached from a tub or shower.
14. The combustion airflow needed for safe operation of fuel-burning equipment may be affected by this unit's operation. Follow the heating equipment manufacturer's guideline safety standards such as those published by the National Fire Protection Association (NFPA), and the American Society for Heating, Refrigeration and Air Conditioning Engineers (ASHRAE) and the local code authorities.
15. Before servicing or cleaning unit, Switch power off at Service panel and lock service disconnecting means to prevent power from being switched on accidentally. When the service disconnecting means cannot be locked, securely fasten a prominent warning device, such as a tag, to the service panel.

TOOLS REQUIRED

Phillips Screwdriver

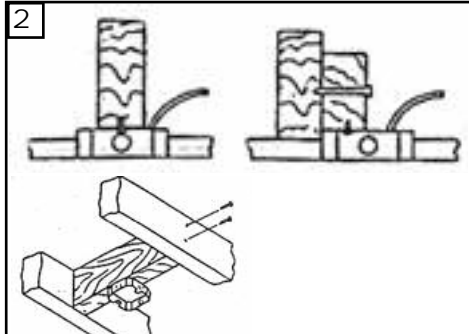
Wire Cutters

Pliers

Step Ladder



1 Before you begin installing the fan, Switch power off at Service panel and lock service disconnecting means to prevent power from being switched on accidentally. When the service disconnecting means cannot be locked, securely fasten a prominent warning device, such as a tag, to the service panel.



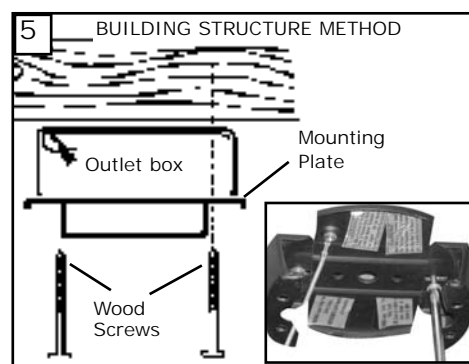
2 Before installing this fan make sure the outlet box is properly installed to the house structure. To reduce the risk of fire, electric shock, or personal injury, mount to outlet box or supporting system acceptable for fan support. (Mounting must support at least 35 lbs.(16 kg.)).



3 Remove Safety bar from mounting bracket by loosening screws, sliding bar to side, and lifting it off the 2 screws.



4 Remove the 4 screws attaching the Mounting neck the mounting plate. Retain the 4 screws for re-assembly.



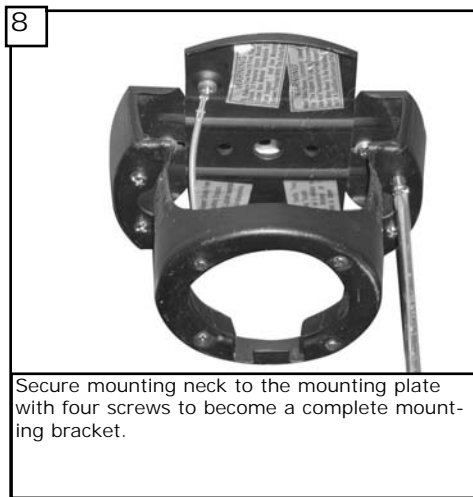
5 BUILDING STRUCTURE METHOD Secure mounting plate directly to a joist from the building structure via the two knock out holes on the outlet box. Use only the appropriate wood screws and washers included with your fan. Caution: Wood screws must go through into the building joist.



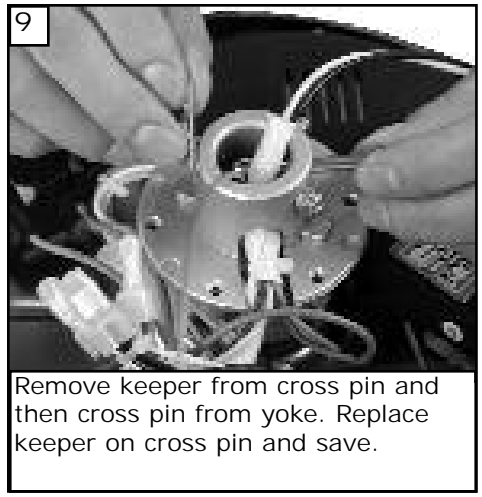
6 FAN BRACE AND BOX METHOD Install the mounting Plate to approved fan brace and box combination use only the hardware provided with the fan brace and box.



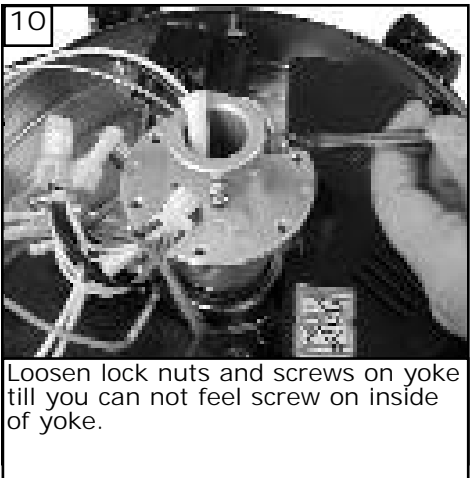
Lift mounting neck to mounting Plate and align screws.



Secure mounting neck to the mounting plate with four screws to become a complete mounting bracket.



Remove keeper from cross pin and then cross pin from yoke. Replace keeper on cross pin and save.



Loosen lock nuts and screws on yoke till you can not feel screw on inside of yoke.



Remove three screws from fan as shown above and save for later use.



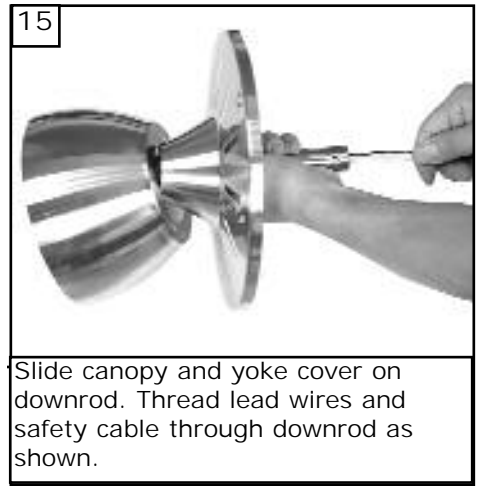
Place upper glass over the fan body.



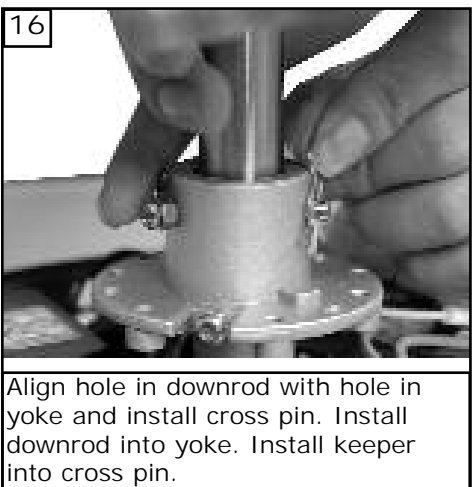
Place decorative glass holder over the glass and onto the fan body aligning 3 holes.



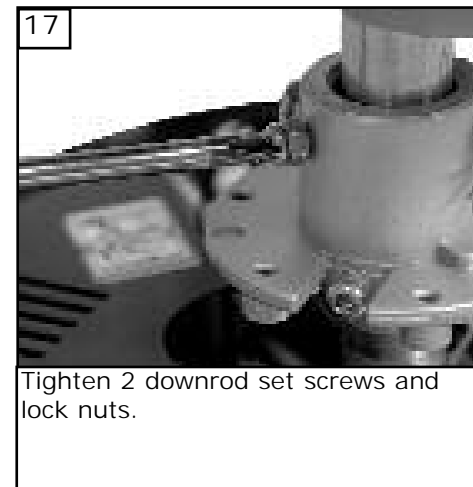
Replace the 3 screws previously removed. Tighten securely



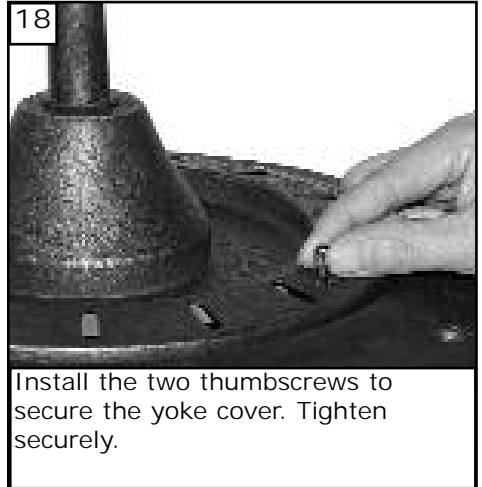
Slide canopy and yoke cover on downrod. Thread lead wires and safety cable through downrod as shown.



Align hole in downrod with hole in yoke and install cross pin. Install downrod into yoke. Install keeper into cross pin.



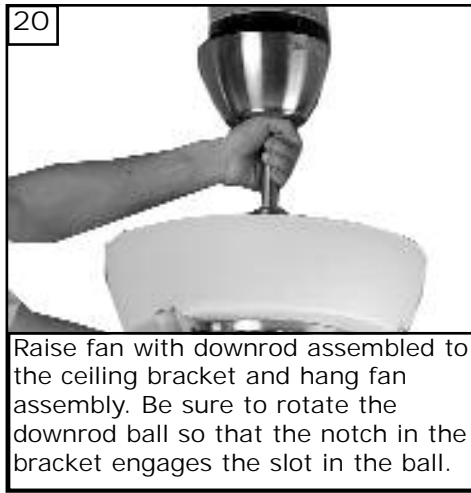
Tighten 2 downrod set screws and lock nuts.



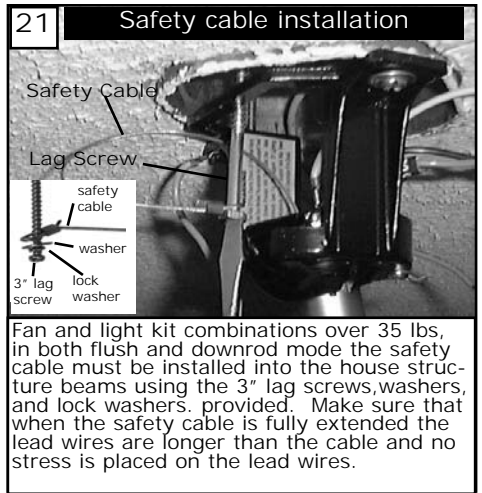
Install the two thumbscrews to secure the yoke cover. Tighten securely.



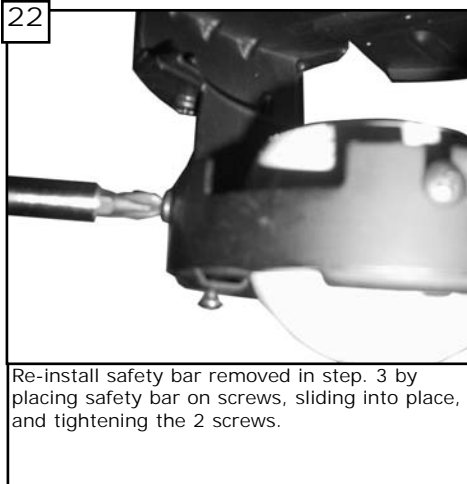
19 Install 6 x 15 watt candelabra base bulbs included.



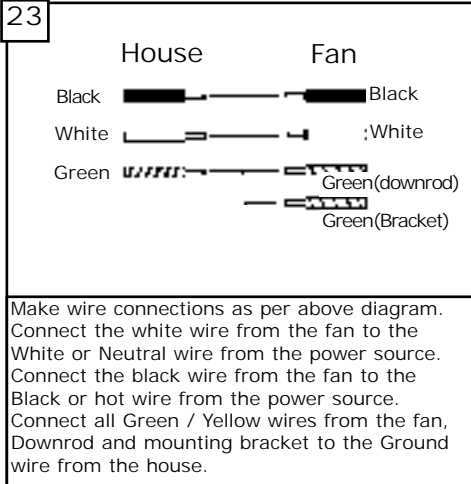
20 Raise fan with downrod assembled to the ceiling bracket and hang fan assembly. Be sure to rotate the downrod ball so that the notch in the bracket engages the slot in the ball.



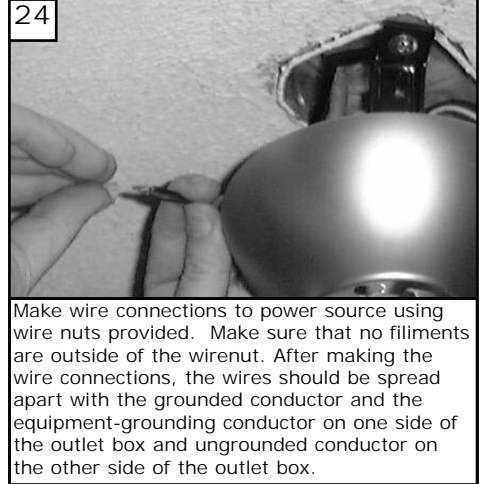
21 Safety cable installation
Fan and light kit combinations over 35 lbs, in both flush and downrod mode the safety cable must be installed into the house structure beams using the 3" lag screws, washers, and lock washers, provided. Make sure that when the safety cable is fully extended the lead wires are longer than the cable and no stress is placed on the lead wires.



22 Re-install safety bar removed in step. 3 by placing safety bar on screws, sliding into place, and tightening the 2 screws.



23 Make wire connections as per above diagram. Connect the white wire from the fan to the White or Neutral wire from the power source. Connect the black wire from the fan to the Black or hot wire from the power source. Connect all Green / Yellow wires from the fan, Downrod and mounting bracket to the Ground wire from the house.



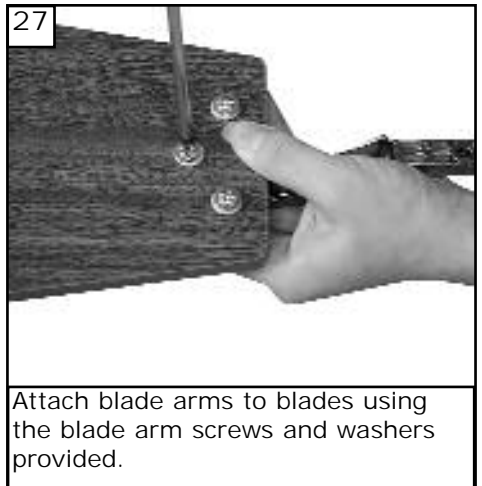
24 Make wire connections to power source using wire nuts provided. Make sure that no filaments are outside of the wirenut. After making the wire connections, the wires should be spread apart with the grounded conductor and the equipment-grounding conductor on one side of the outlet box and ungrounded conductor on the other side of the outlet box.



25 Lift canopy to ceiling aligning the key hole slots with the screws on the bottom of the mounting bracket. Rotate the canopy counter clockwise to lock in place. Tighten the screws to secure the canopy. See inset for keyhole shape



26 Place clips over screws to conceal.



27 Attach blade arms to blades using the blade arm screws and washers provided.



28 Attach the flwheel to the driveshaft by installing 10 screws and washers provided.



29 Check the motor for shipping stabilizer and remove if present. The screws, washers and motor pads are pre-installed to the blade holders. Attach blade assembly to motor and tighten screws securely.



30 Loosen 2 screws with key slots and remove the 1 screw with closed slot. Save screw removed.

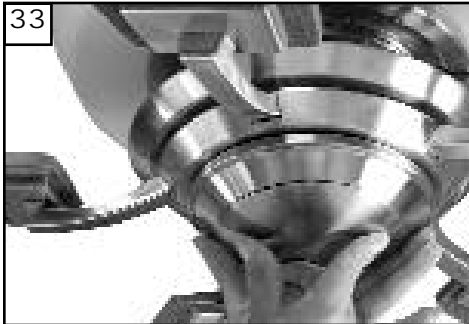


31 Twist lower cover plate into place by twisting in direction of arrow.



32 Replace 1 screw removed and tighten all 3 screws securely.

To install without light kit go to step 33.
To install with light kit go to step 34.



33 Install the bottom cover plate by placing over the threaded rod. Install the bottom finial cover by placing over the threaded rod and screw on the bottom finial cover securely.



34 Plug white wire from fan to white wire from light kit. Then plug black wire from fan to black wire from light kit.



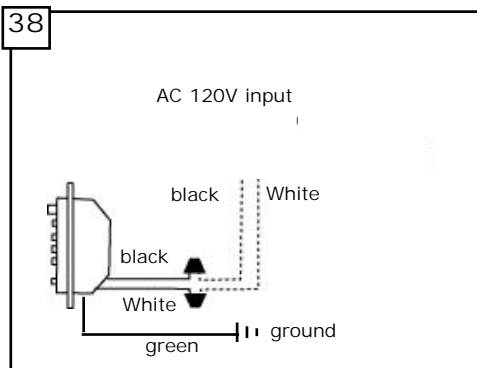
35 Align the arches from the light kit with the arches from the upper light kit. Install the bottom finial cover by twisting on securely.



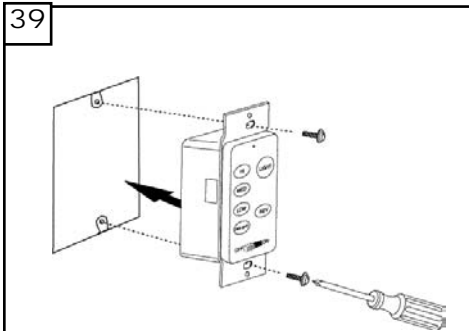
36 Install 3X40 watt candelabra base bulbs. Bulbs included. **WARNING:** Over lamping the fan will result in the fan lights shutting down until the proper wattage of bulbs are installed. Reset the lights by turning off the wall switch, breaker, or by remote. Replace bulbs with the correct wattage bulbs, turn the power on.



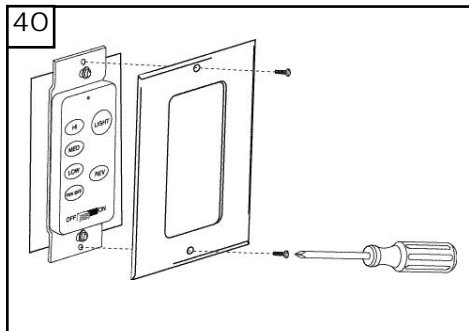
37 Install the glass and secure by twisting on the finial. Tighten securely.



Warning! If unsure of wiring please contact an electrician. Connect to hot and common wire of electric circuit separately. Refer to diagram above.



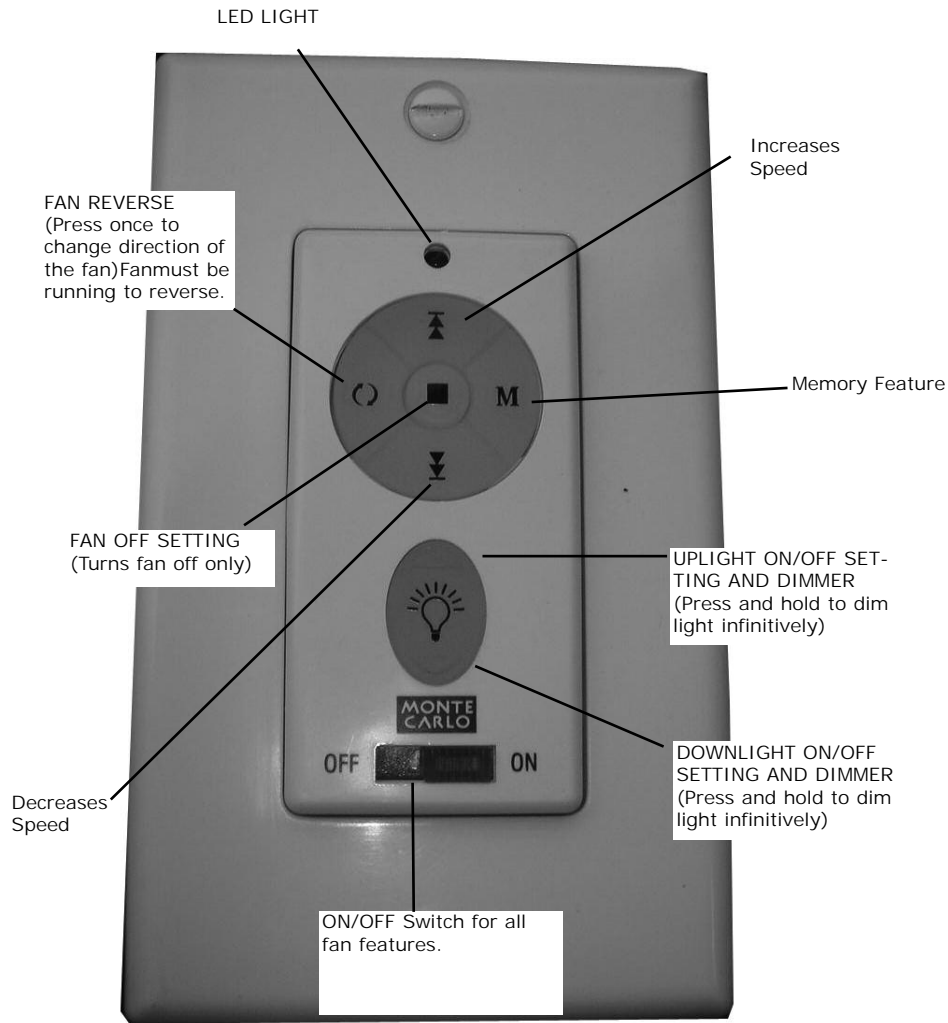
39 Install wall control unit to outlet box using machine screws provided.



40 Attach front cover to wall control with screws provided.

MONTE CARLO®

Transmitter Controller Features:



FAN SPEED- Depress to Increase the fan speed



FAN SPEED- Depress to Decrease the fan speed



LIGHT DIMMER To turn light on, press light dimmer once quickly. To turn off press once quickly while light is on. To dim light hold down button "light dimmer". The light will cycle from bright to dim to bright until button is released. Light will maintain last setting if turned off.



FORWARD/REVERSE Depress rev button allow a few seconds for remote to change rotation direction with fan running.

Trouble Shooting

If you have difficulty operating your new ceiling fan, it may be the result of incorrect assembly, installation, or wiring. In some cases, these installation errors may be mistaken for defects. If you experience any faults, please check this Trouble Shooting Chart. If a problem cannot be remedied, or you are experiencing difficulty in installation, please call our Customer Service Center at the number printed on your parts list insert sheet. **Warning:** Before servicing or cleaning unit, Switch power off at Service panel and lock service disconnecting means to prevent power from being switched on accidentally. When the service disconnecting means cannot be locked, securely fasten a prominent warning device, such as a tag, to the service panel.

Trouble	Suggested Remedy
1. If fan does not start:	<ol style="list-style-type: none">1. Check main and branch circuit fuses or circuit breakers.2. Check line wire connections to fan and switch wire connections in switch housing.3. Check to make sure the dip switches from the transmitter and receiver are set on the same frequency. <p>CAUTION: Make sure main power is turned off</p> <ol style="list-style-type: none">4. Make sure forward/reverse switch is firmly in position. Fan will not operate when switch is in the middle.
2. If fan sounds noisy:	<ol style="list-style-type: none">1. Check to make sure all screws in motor housing are snug (not over tightened).2. Check to make sure the screws which attach the fan blade holder to the motor are tight.3. Check to make sure wire nut connectors in switch housing are not rattling against each other or against the interior wall of the switch housing. <p>CAUTION: Make sure main power is turned off before entering switch housing.</p> <ol style="list-style-type: none">4. Some fan motors are sensitive to signals from Solid State variable speed controls. DO NOT USE a Solid State variable speed control.5. Allow "break-in" period of 24 hours. Most noises associated with a new fan will disappear after this period.
3. If fan wobbles:	<ol style="list-style-type: none">1. Make sure that the ridge of the canopy engages the notch in the downrod ball.2. Check that all blades are screwed firmly into blade holders.3. Check that all blade holders are tightened securely to motor.4. Make sure that canopy and mounting bracket are tightened securely to ceiling junction box and junction box is mounted firmly to ceiling joist.5. Most fan wobble problems are caused when blade levels are unequal. Check this level by selecting a point on the ceiling above the tip of one of the blades. Measure this distance from blade tip to ceiling. Keeping measure within 1/8", rotate the fan until the next blade is positioned for measurement. Repeat for each blade. If all blade levels are not equal, you can adjust blade levels by the following procedure. To adjust a blade tip down, insert a washer (not supplied) between the blade and blade holder at the screw closest to the motor. To adjust a blade tip up, insert washer (not supplied) between the blade and blade holder at the two screws farthest from the motor. Reverse the position of the washer if blades mount from top of blade.6. If blade wobble is still noticeable, interchanging two adjacent (side by side) blades can redistribute the weight and possibly result in smoother operation.
4. If light does not work:	<ol style="list-style-type: none">1. Check wire from fan to make sure it is connected to hot wire from house.2. Check for loose or disconnected wires in fan switch housing.3. Check for loose or disconnected wires in light kit.4. Check for faulty light bulbs. <p>WARNING: Over lamping the fan will result in the fan lights shutting down until the proper wattage of bulbs are installed. Reset the lights by turning off the wall switch, breaker, or by remote. Replace bulbs with the correct wattage bulbs, turn the power on.</p> <p>CAUTION: Make sure main power is turned off before entering switch housing.</p>

MONTE CARLO®

Customer Service Center:
301 West Washington St.
Riverside, NJ 08075
1-800-519-4092
www.montecarlofans.com